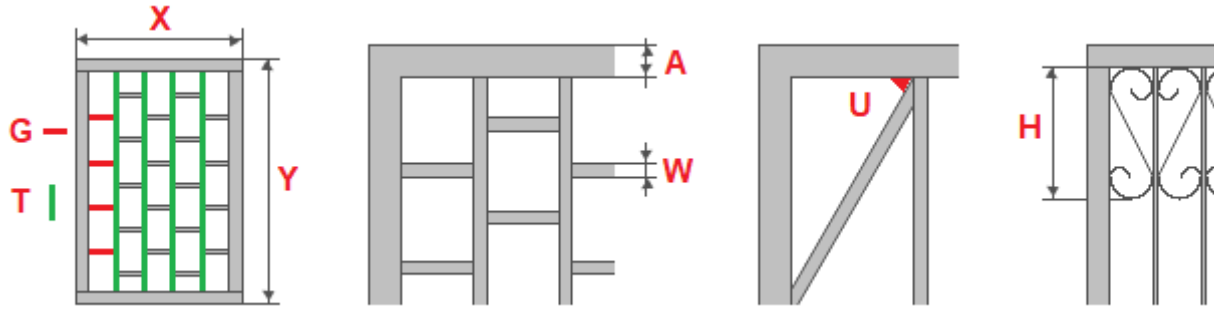


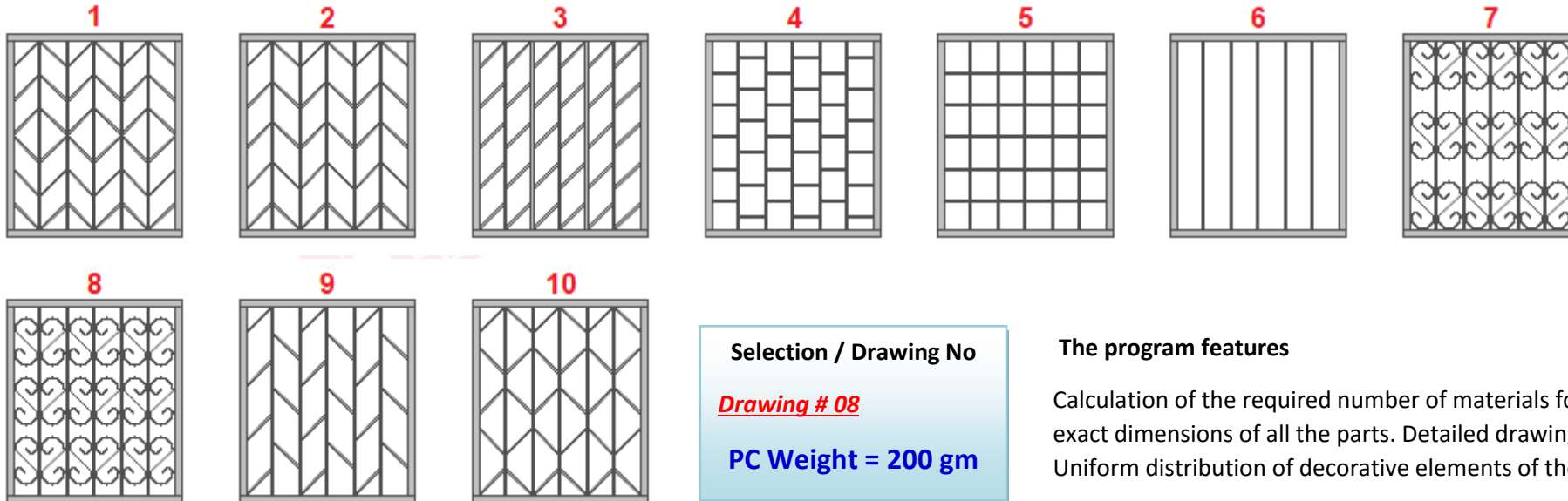
**CALCULATION OF WINDOW METAL GRATINGS / SECURITY IRON BARS / WINDOW GUARDS**



Select the required dimensions in millimeters

- Y - Height of a lattice
- X - Width of lattice
- A - Frame width
- W - bar thickness
- T - the number of vertical rods
- G - number of horizontal elements
- N - version number of the window grid
- U - angle of inclination of elements (for options 1, 2, 3, 9, 10)
- H - height of the decorative element (for options 7, 8)

Picture Options Window Guards



Selection / Drawing No

**Drawing # 08**

**PC Weight = 200 gm**

**The program features**

Calculation of the required number of materials for metal grilles. The exact dimensions of all the parts. Detailed drawings of steel grating. Uniform distribution of decorative elements of the lattice.

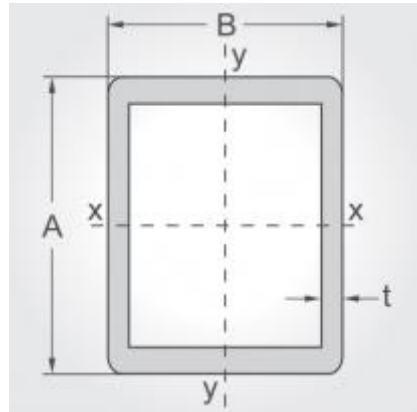
### CALCULATOR FOR HOLLOW STRUCTURAL SECTIONS RECTANGULAR

Input your values in the fields below:

Side, **A**:  mm  
 Side, **B**:  mm  
 Thickness, **t**:  mm  
 Length, **L**:  m

#### Result

Weight per meter:  kg/m  
 Total weight:  Kg



Calculator for Hollow structural sections - rectangular

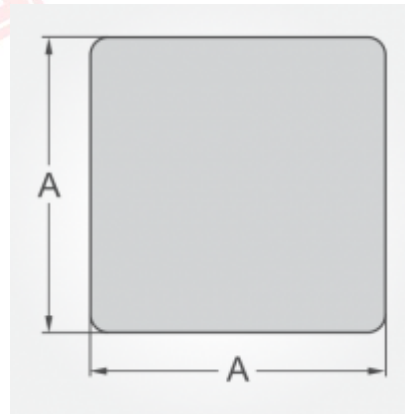
### CALCULATOR FOR SQUARE SOLID IRON / STEEL BARS

Input your values in the fields below:

Side, **A**:  mm  
 Length, **L**:  m

#### Result

Weight per meter:  kg/m  
 Total weight:  Kg



Calculator for Square steel bars

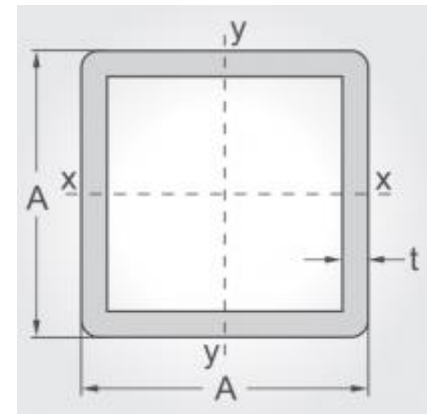
### CALCULATOR FOR HOLLOW STRUCTURAL SECTIONS - SQUARE

Input your values in the fields below:

Side, **A**:  mm  
 Thickness, **t**:  mm  
 Length, **L**:  m

#### Result

Weight per meter:  kg/m  
 Total weight:  Kg



Calculator for Hollow structural sections - square

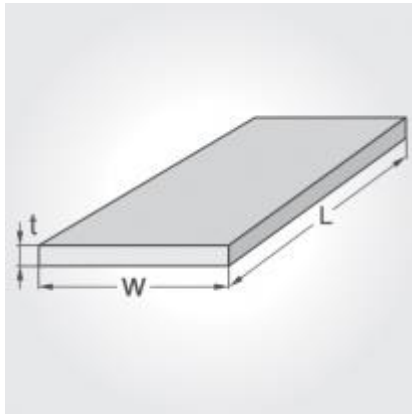
### CALCULATOR FOR STEEL SHEETS AND PLATES

Input your values in the fields below:

Thickness, **t**:  mm  
 Width, **W**:  mm  
 Length, **L**:  mm  
 Number of pieces:

#### Result

Single piece weight:  kg  
 Total weight:  Kg



Calculator for Steel sheets and plates

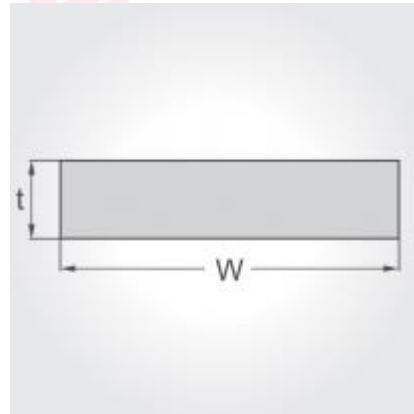
### CALCULATOR FOR FLAT STEEL BARS

Input your values in the fields below:

Side, **W**:  mm  
 Thickness, **t**:  mm  
 Length, **L**:  m

#### Result

Weight per meter:  kg/m  
 Total weight:  kg



Calculator for Flat bars

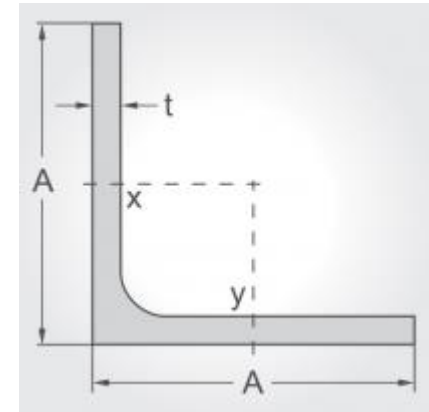
### CALCULATOR FOR EQUAL ANGLES

Input your values in the fields below:

Side, **A**:  mm  
 Thickness, **t**:  mm  
 Length, **L**:  m

#### Result

Weight per meter:  kg/m  
 Total weight:  Kg



Calculator for Equal angles