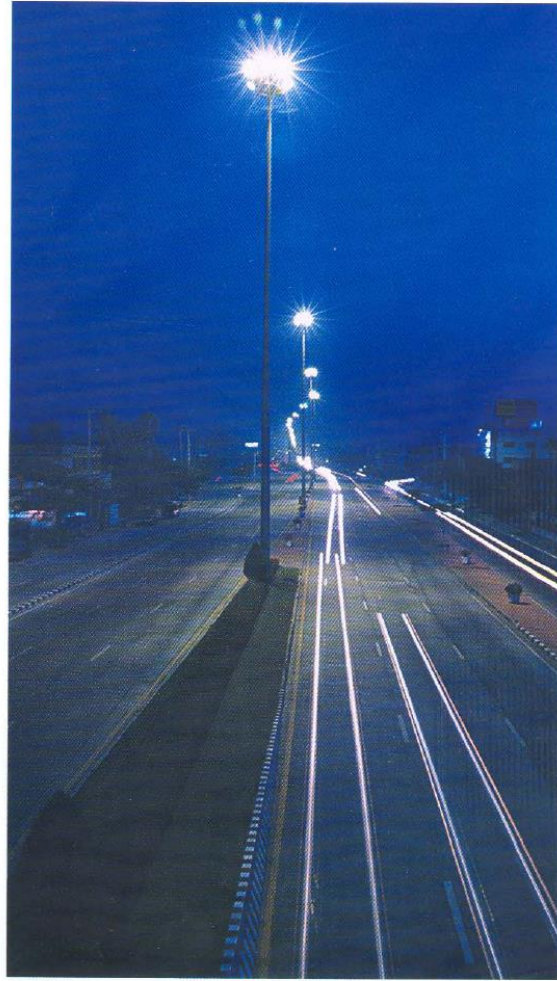


Mobile Crown High Mast Up to 45M, Motorized Single / Multi Bracket Ring, Via Lights, CCTV, OBL, TELE-COMM

High Mast

with Lowering device
for interchange and wide area lighting designs

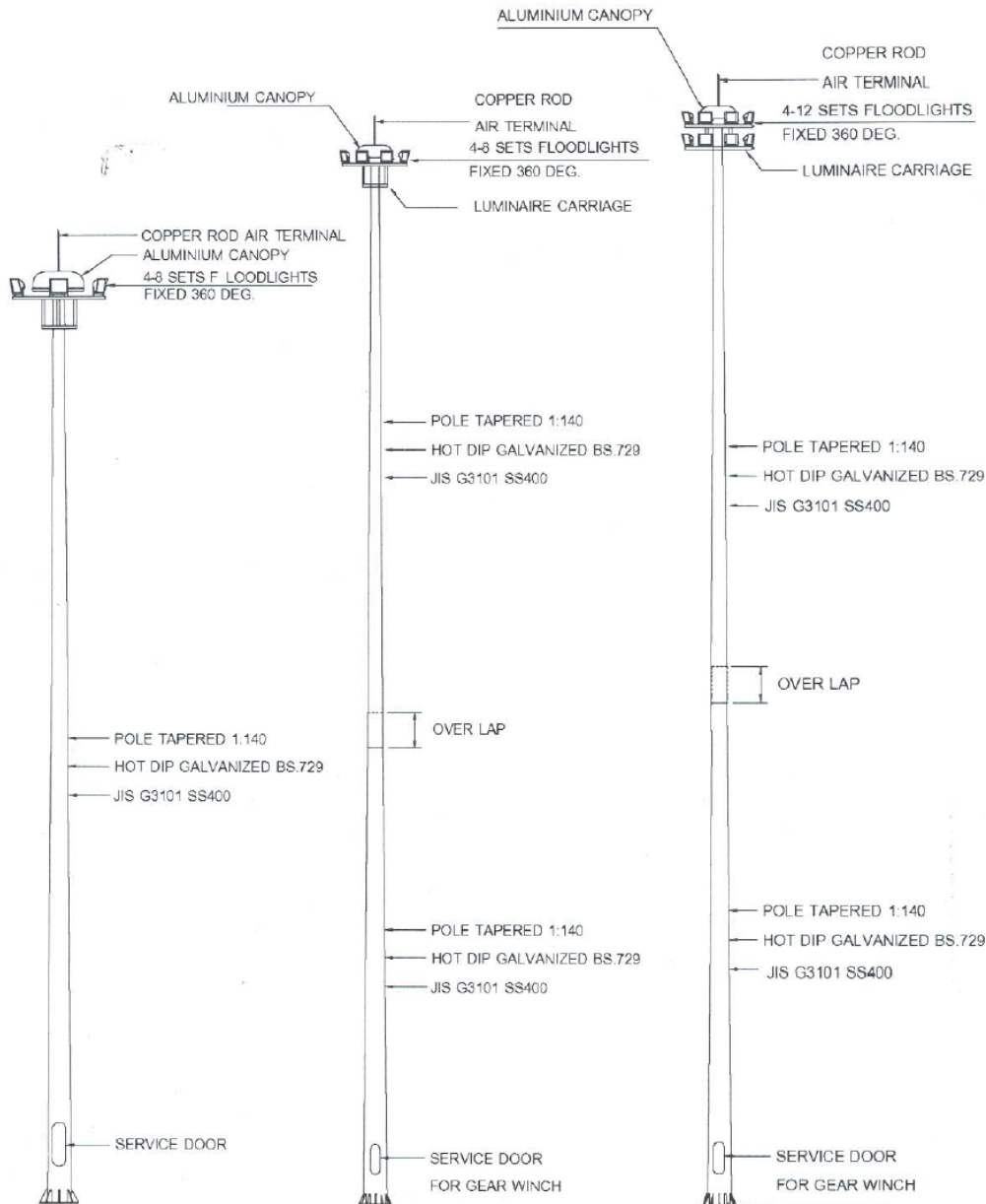


High Mast Lighting

Highways
Multilane roads
Interchanges
Parking areas
Rest Area
Monopole mast

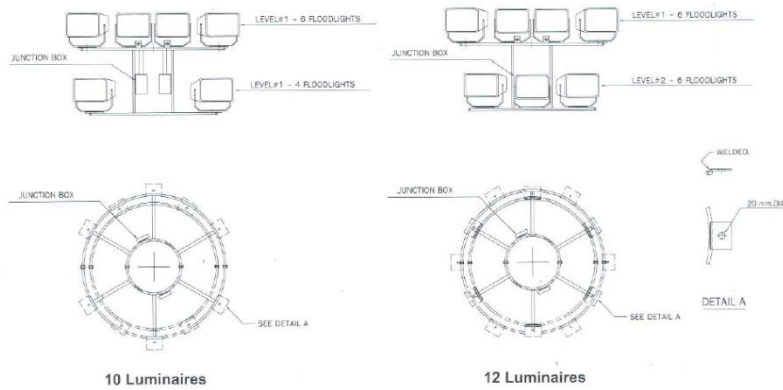
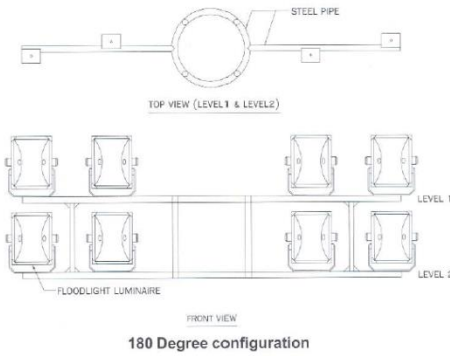
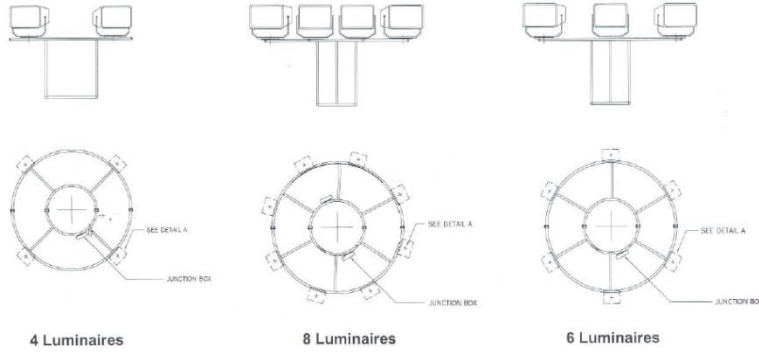
Mobile Crown High Mast Up to 45M, Motorized Single / Multi Bracket Ring, Via Lights, CCTV, OBL, TELE-COMM

Typical High Mast Drawing



Mobile Crown High Mast Up to 45M, Motorized Single / Multi Bracket Ring, Via Lights, CCTV, OBL, TELE-COMM

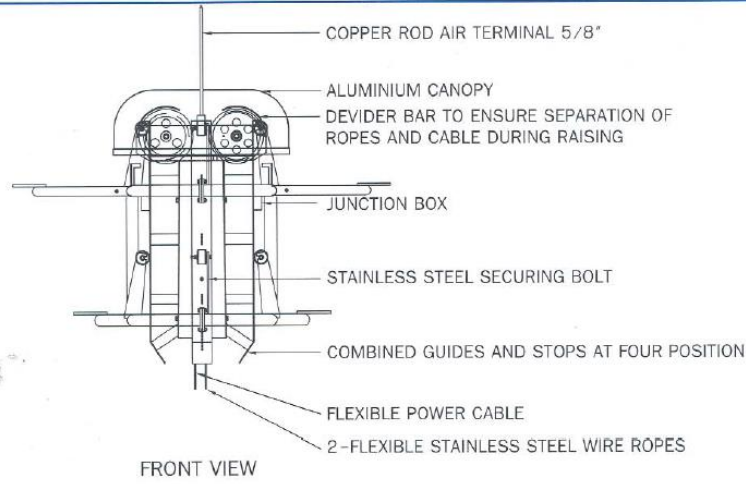
Luminaire Configuration



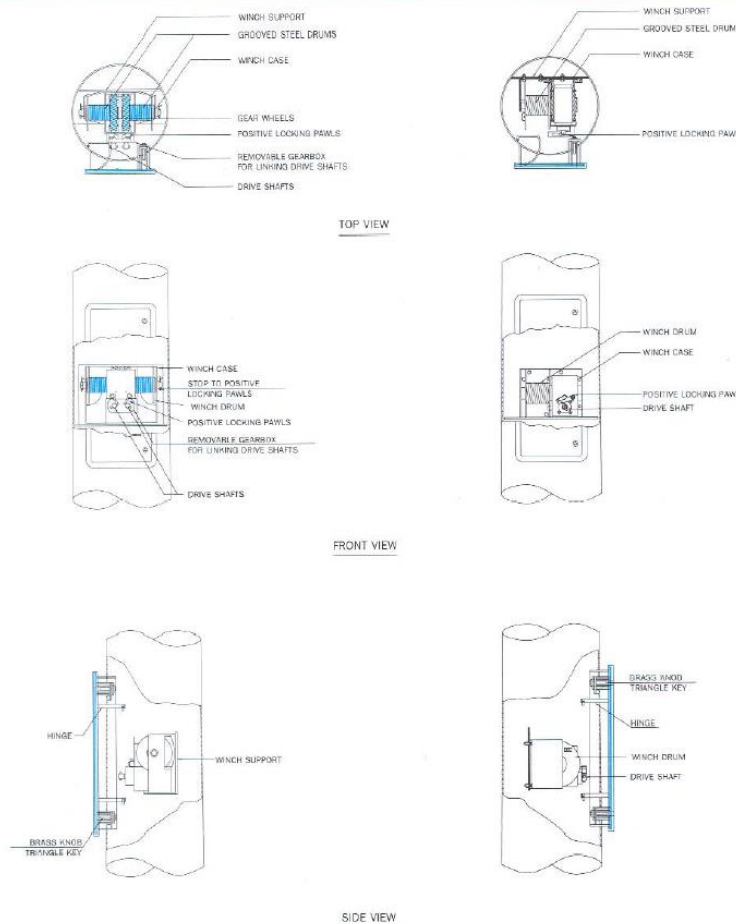
Double Ring Crown Option

Mobile Crown High Mast Up to 45M, Motorized Single / Multi Bracket Ring, Via Lights, CCTV, OBL, TELE-COMM

Mast Head Assembly With Lowering System



Winch Type

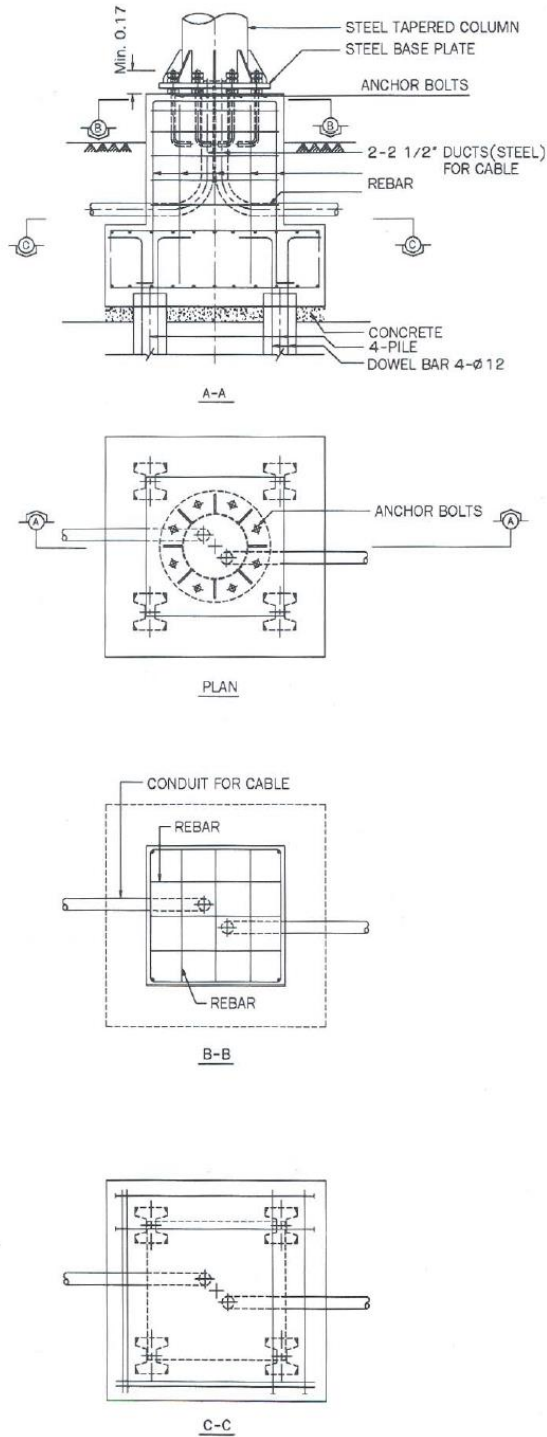


Double Drumb Winch

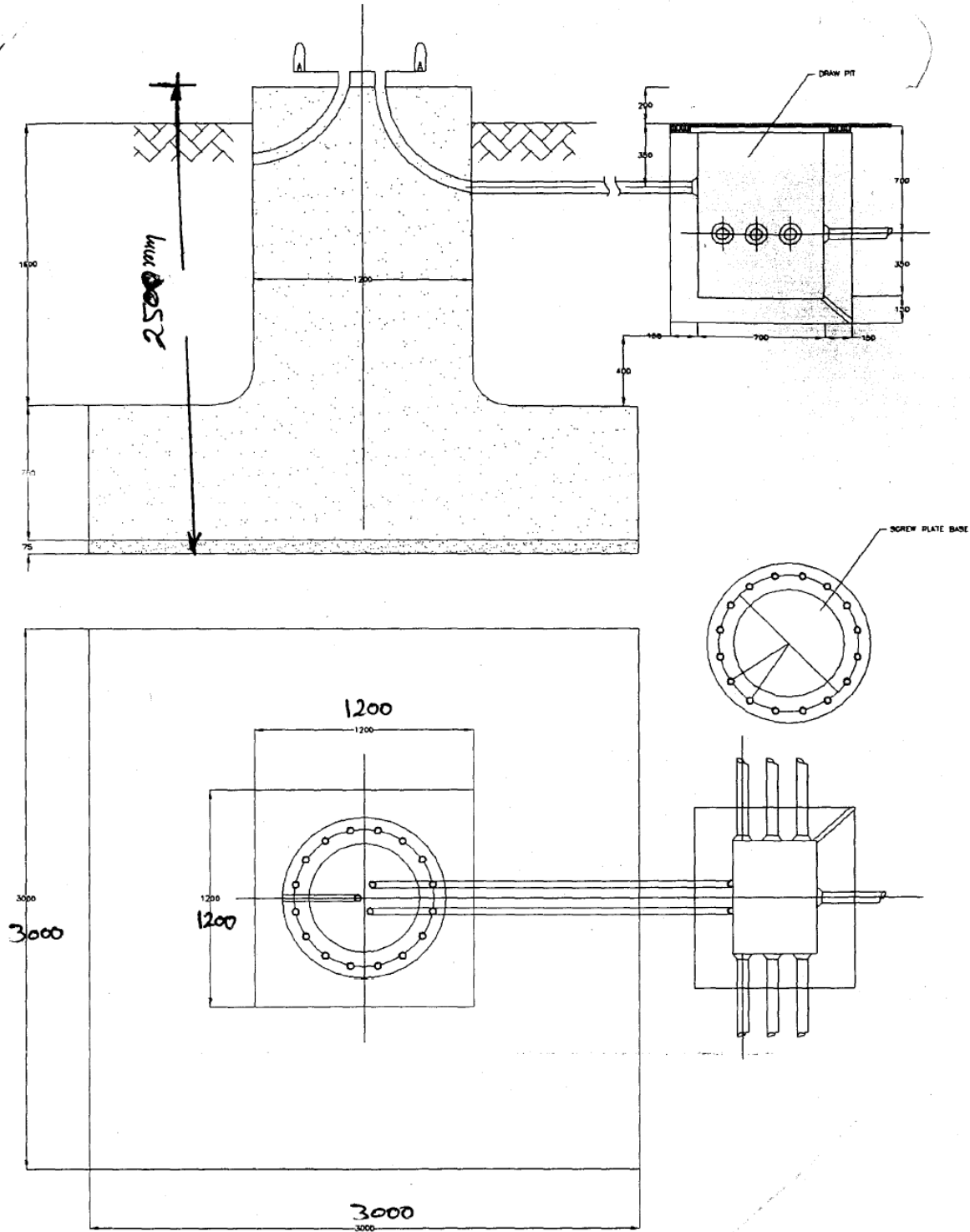
Single Drumb Winch

Mobile Crown High Mast Up to 45M, Motorized Single / Multi Bracket Ring, Via Lights, CCTV, OBL, TELE-COMM

Typical foundation for 15 to 45 meter mast



Mobile Crown High Mast Up to 45M, Motorized Single / Multi Bracket Ring, Via Lights, CCTV, OBL, TELE-COMM



DETAIL OF HIGHMAST CONCRETE FOUNDATION