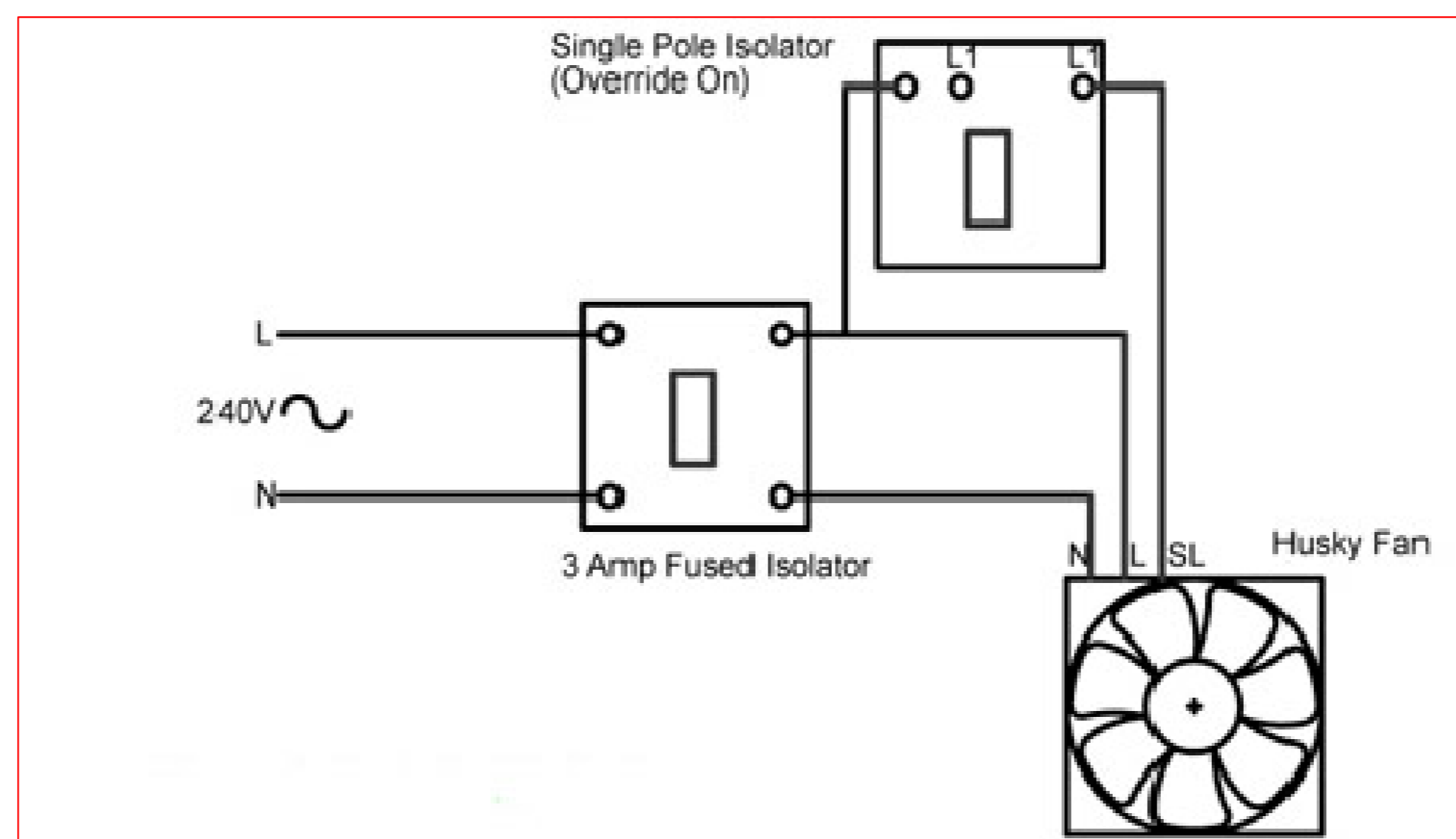


**Legend; Electrical Sockets & Accessories:**

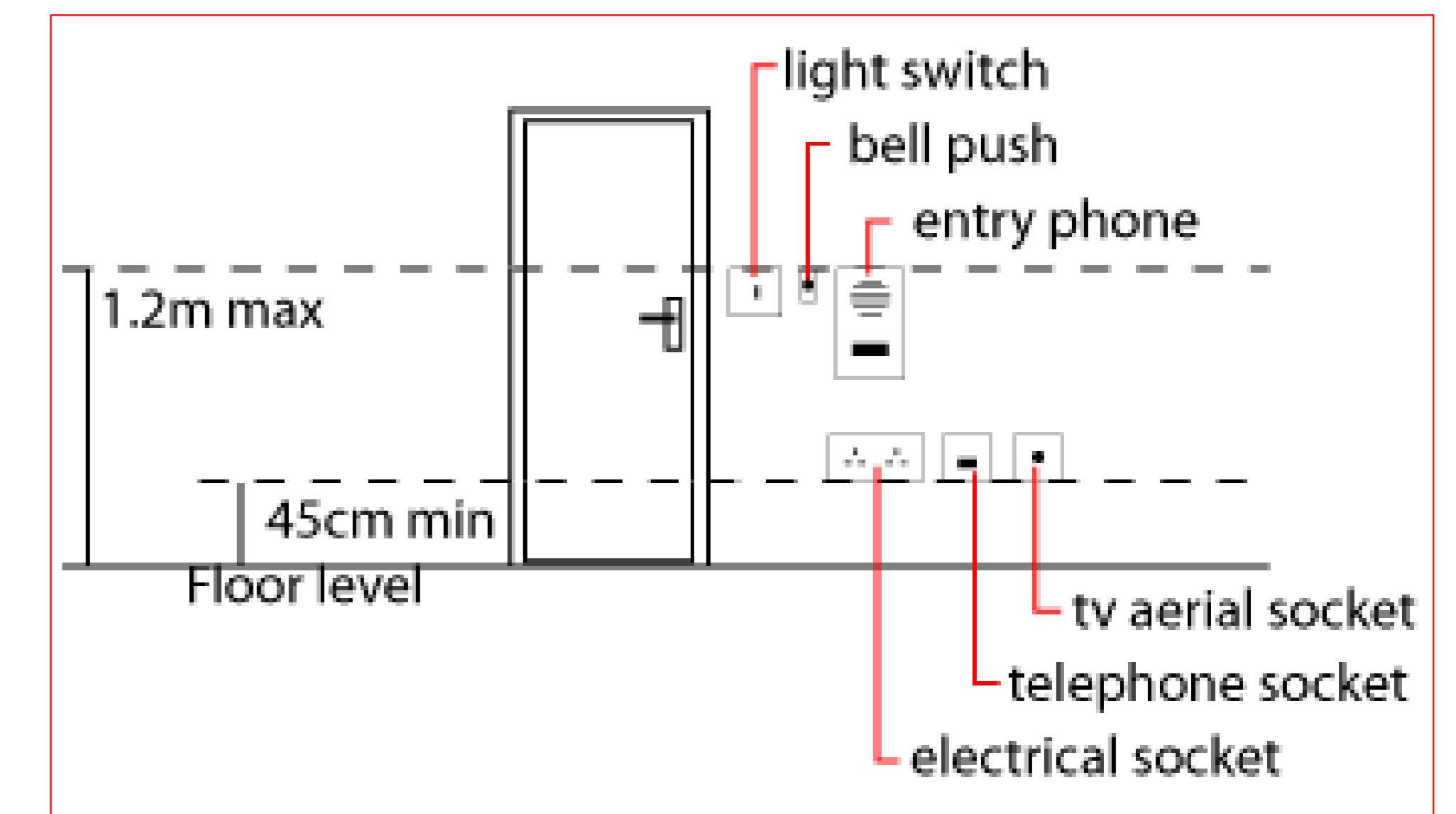
SYMBOL	DISCRIPTION
	Single Normal Socket, (S) 10A, Schucko Type, Earthed, W/P Cover
	Single Power Socket (P), 16A, Schucko Type, Earthed, W/P Cover
	Isolator / Disconnect Switch 20A For EX-Fan (XF)
	Isolator / Disconnect Switch 32A For Air Condition (AC Split)
	Single Normal Socket 10A at 120 cm from FFL (Not Used)
	Twin Normal Sockets 10A at 45 cm from FFL (Not Used)

**Legend; Power Outlets & Wiring:**

SYMBOL	DISCRIPTION
	Electric Distribution Panel, DATCO, DB-CHR (Changing Rooms)
	PVC Junction Box, 10X10 CM, IP-65 - ENG. Home or Equal
	Small EX-Fan Electrical Outlet (Wall/Glass) via D.S 20A Switch
	Split AC Electrical Outlet (Hi-Wall) via D.S 32A Switch
	Power Wiring CU PVC/PVC (3*4)mm into 25mm PVC Conduit
	AC Outlet Wiring CU PVC/PVC (3*6)mm into 25mm PVC Conduit



Bathroom Wall / Window EX-Fan Schematic Wiring Diagram



Electrical Sockets Placement & Height

**Notes:**

- 1- Electrical Sockets to be Schuko types c/w Earthing Pin and specification must follow the Project BOQ and standards. Units to be Legrand Arteor or Bticino Egypt or equal. IP55 WP Cover shall be used for sockets in Changing Rooms, unless otherwise indicated.
- 2- Electrical Sockets Level, All = 45 cm from FFL, D.S = 120 cm from FFL
- 3- Copper Wiring Size; Sockets (3\*4)mm, EX-Fans (3\*3)mm, AC Split Units (3\*6)mm

COPYRIGHT (C) BADRY GROUP Co.  
Not to be reproduced in whole or part without the written consent of BADRY GP.

Project: Ministry of Youth and Sports  
CAN 2019- Egypt - Football Training Courts  
Olympic Sporting Club - Alexandria

Drawing: Olympic Sporting Club - Alexandria  
Changing Rooms of Main Football Court  
Power Works For Changing Rooms

Area: Changing Room  
Sheet Num. OLY-CHR-PWR-002 Rev 0  
Scale: N.T.S / S.T.F  
Date: Mar. 2019  
Sub-Contractor: BADRY SLS  
BADRY SLS SPORTS LIGHTING SOLUTIONS