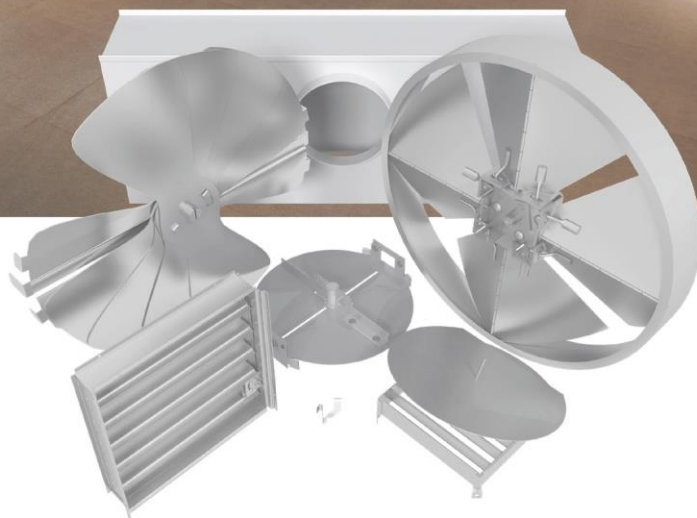


ACCESSORIES

FOR GRILLES & DIFFUSERS



VCS3 – OPPOSED BLADE DAMPER

The VCS3 opposed blade damper provides airflow adjustment at the grille. Volume control blades move simultaneously in opposite directions to provide superior metering and control with minimal disturbance of the air pattern. For optimized sound performance it is recommended to match an upstream duct branch damper for large volume control with a damper at the diffuser for fine tuning.

- + Choice of two operators:
 - **Standard:** features a slotted lever for adjustment with a standard flat screwdriver.
 - **Lever:** features a face accessible lever and is ideal for products with restricted access at the diffuser face such as linear bar grilles.
- + Optional duct mounting allows the damper to be installed further upstream in the ductwork to minimize generated noise in the occupied space.
- + For optimum flexibility the VCS3 can be mounted directly on a diffuser or grille, or shipped as a standalone product for field installation.

OPTIONS

- + Material
 - Steel (VCS3/VCS3B)
 - Aluminum (VCS3AL/VCS3BAL)
 - Stainless steel (VCS3SS/VCS3BSS)
- + Mounting
 - Grille mounted (VCS3/VCS3AL/VCS3SS)
 - Duct mounted (VCS3B/VCS3BAL/VCS3BSS)



VCS5 – INDUSTRIAL OPPOSED BLADE DAMPER

The VCS5 opposed blade damper is intended for use with high capacity industrial grilles and diffusers such as the HCD, 150, and 300 series grilles. Blades move simultaneously in opposite directions to allow for precise metering and control with minimal disturbance of the air pattern.

- + A screw-type locking mechanism ensures blade position is maintained in applications with high velocity airflow.
- + For optimum flexibility the VCS5 can be mounted directly on a diffuser or grille, or shipped as a standalone product for field installation.



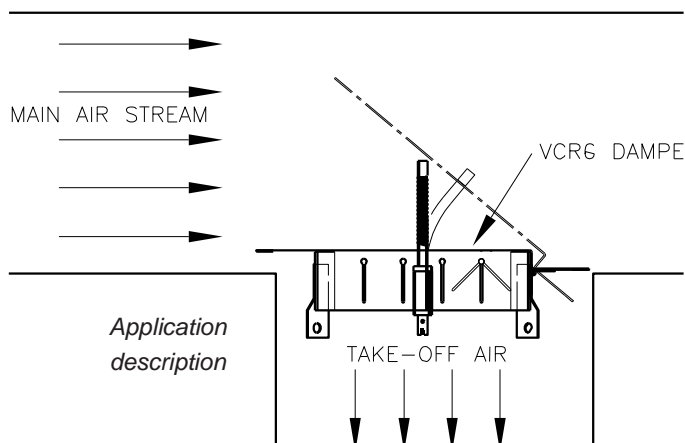
VCS6/VCR6 – COMBINATION DAMPER AND EQUALIZING GRID

VCS6 and VCR6 combination damper/equalizing grids are easily installed in round or square duct take-offs and feature a fully adjustable damper blade that opens directly into the main duct air stream for precision air control.

- + A threaded rod controller (for sizes up to 12 in. x 12 in.) or a flex cable operator allows adjustment of the blade damper.
- + Individually adjustable louvered blades are easily accessible from the diffuser face and are spring-tensioned to maintain setting after equalized airflow has been achieved.
- + A heavy cold rolled steel frame and extruded aluminum blades provide for a robust assembly.
- + For optimum flexibility the VCS6/VCR6 can be mounted directly on a diffuser or grille, or shipped as a standalone product for field installation.

OPTIONS

- + Shape & size
 - Square (VCS6)
 - + Minimum: 4 in. x 4 in.
 - + Maximum: 30 in. x 30 in.
 - Round (VCR6)
 - + Minimum: 4 in.
 - + Maximum: 36 in.



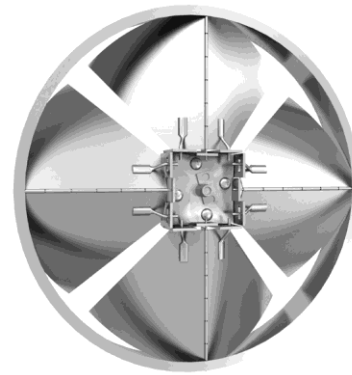
VCR7 – RADIAL OPPOSED BLADE DAMPER

The VCR7 opposed blade round damper provides airflow adjustment at the diffuser neck. Volume control blades move simultaneously in opposite directions to provide superior metering and control with minimal disturbance of the air pattern. For optimized sound performance it is recommended to match an upstream duct branch damper for large volume control with a damper at the diffuser for fine tuning.

- + The VCR7 is easily adjusted using a slotted operator and standard slotted screwdriver.
- + A rolled border sleeve allows screw mounting to the diffuser neck.
- + For optimum flexibility the VCR7 can be mounted directly on a diffuser or grille, or shipped as a standalone product for field installation.

OPTIONS

- + Size
 - 6, 8, 10, 12, 14, 16, 18, 20, 24, 30, 36 in.
- + Blade Segmentation Configuration
 - Three (sizes 6 in. - 12 in.)
 - Four (sizes 14 in. - 20 in.)
 - Six (sizes 24 in. - 36 in.)



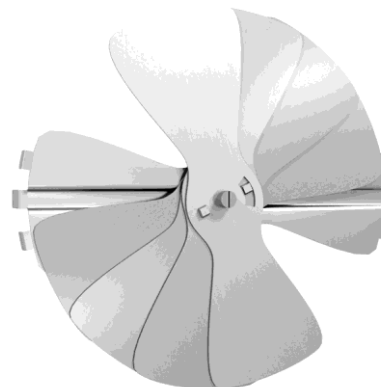
VCR9 – RADIAL DAMPER

The VCR9 round, galvanized steel, radial style damper provides airflow adjustment at the diffuser or plenum neck. Volume control blades move simultaneously in opposite directions, to provide superior metering and control with minimal disturbance of the air pattern. For optimized sound performance it is recommended to match an upstream duct branch damper for large volume control with a damper at the diffuser for fine tuning.

- + Damper adjustment is easy with a slotted lever and a standard flat screwdriver.
- + The VCR9 is intended for direct mounting at the diffuser neck.
- + For optimum flexibility the VCR9 can be mounted directly on a diffuser or grille, or shipped as a standalone product for field installation.

OPTIONS

- + Size
 - 6, 8, 10, 12, 14 in.



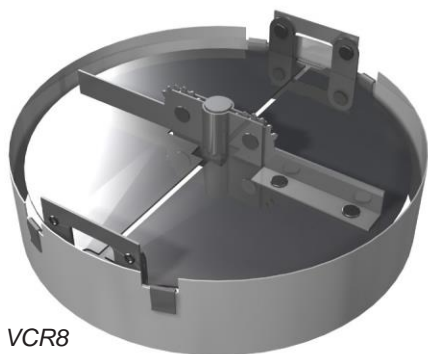
VCR8 - ROUND BUTTERFLY DAMPER

The VCR8 round butterfly style damper provides airflow adjustment at the diffuser neck. Volume control blades move simultaneously in opposite directions, to provide superior metering and control with minimal disturbance of the air pattern. For optimized sound performance it is recommended to match an upstream duct branch damper for large volume control with a damper at the diffuser for fine tuning.

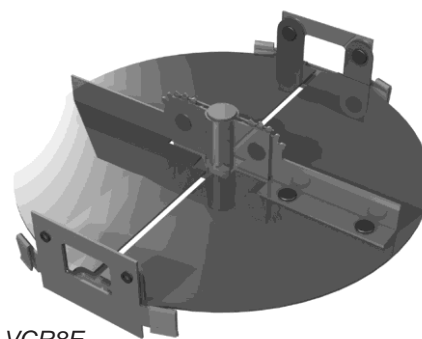
- + Choice of two operators:
 - **Slotted Lever:** features a slotted lever for adjustment with a standard flat screwdriver.
 - **Cable:** features a cable operator for remote adjustment of the damper.
- + The damper is also available for direct duct mounting (VCR8 (steel)/VCR8SS (stainless steel)) so that the damper can be remotely mounted to minimize generated noise in the space.
- + For optimum flexibility the VCR8 can be mounted directly on a diffuser or grille, or shipped as a standalone product for field installation.

OPTIONS

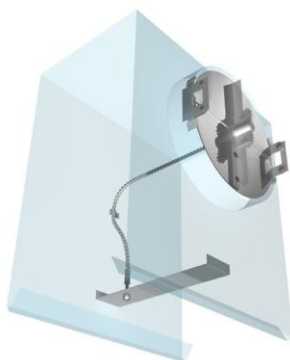
- + Operation
 - Slotted lever (VCR8/VCR8E)
 - Cable (VCR8EC)
- + Material
 - Steel (VCR8/VCR8E/VCR8EC)
 - Stainless steel (VCR8SS/VCR8ESS)
- + Size
 - 4, 5, 6, 7, 8, 10, 12, 14, 15, 16 in.
- + Mounting
 - Duct mounted
 - Diffuser mounted



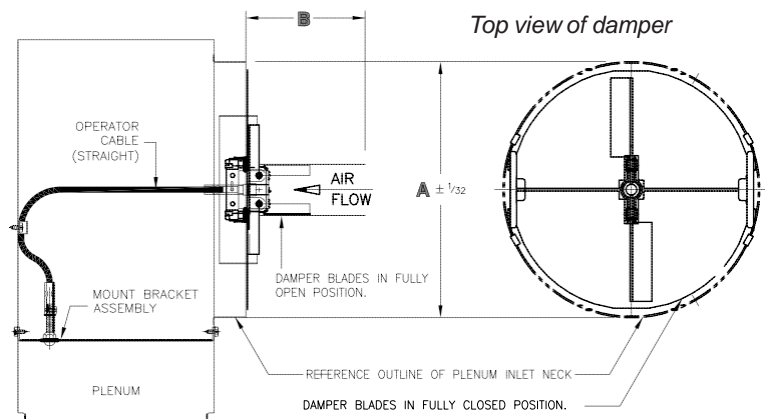
VCR8



VCR8E



VCR8EC



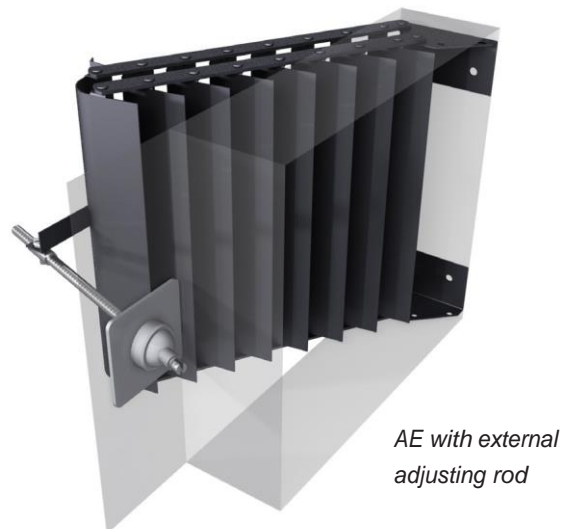
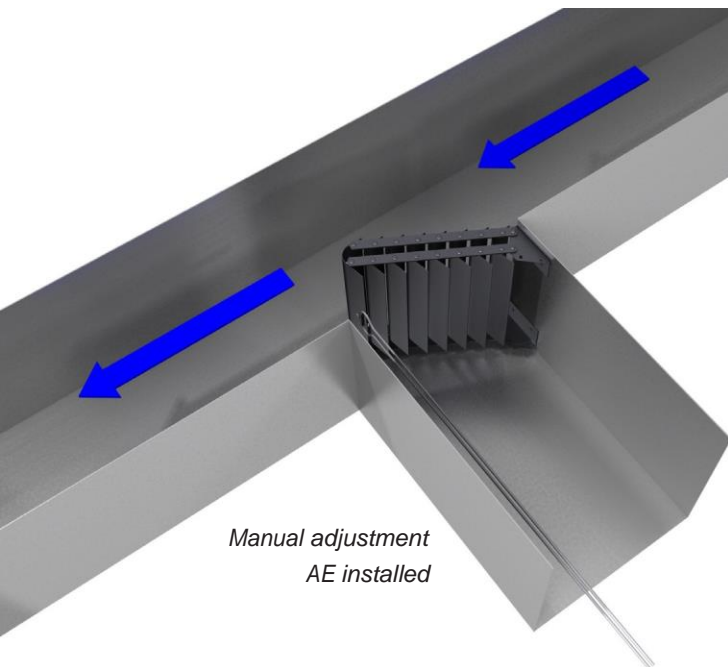
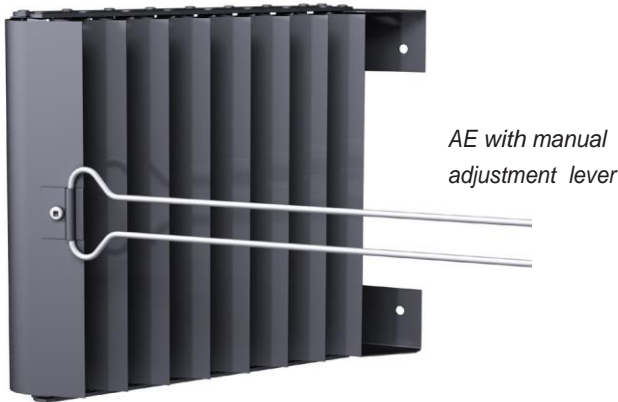
AE – AIR EXTRACTOR

Air Extractors (AE) feature cold rolled steel construction with gang operated curved blades that move from fully-open to fully-closed to provide flow diversion and volume control at duct take-offs. Air extractors efficiently direct airflow down a branch duct while minimizing sound and pressure drop.

- + Three methods of operation are available:
 - **Manual Adjusting Lever**
 - **Key operated mechanism:** allows full adjustment without removal of the grille face.
 - **Manual, externally controlled adjusting rod:** complete with set screw lock, this operator rod assembly is recommended when damper area exceeds 4 sq. ft.

OPTIONS

- + Operator Types
 - Manual adjustment
 - Key operated mechanism
 - Manual, externally controlled adjusting rod
- + Blade Spacing
 - 1 in. on center (AE1)
 - 2 in. on center (AE2)
- + Blade Orientation
 - Parallel to short duct dimension
 - Parallel to long duct dimension



EG – EQUALIZING GRID

Equalizing Grids (EG) equalize airflow into rectangular or round diffuser necks with minimal noise and turbulence. Unequalized airflow at the diffuser neck may result in undesirable air pattern and thermal comfort.

- + Individually adjustable extruded aluminum louver blades are spring tensioned to maintain set point.



OPTIONS

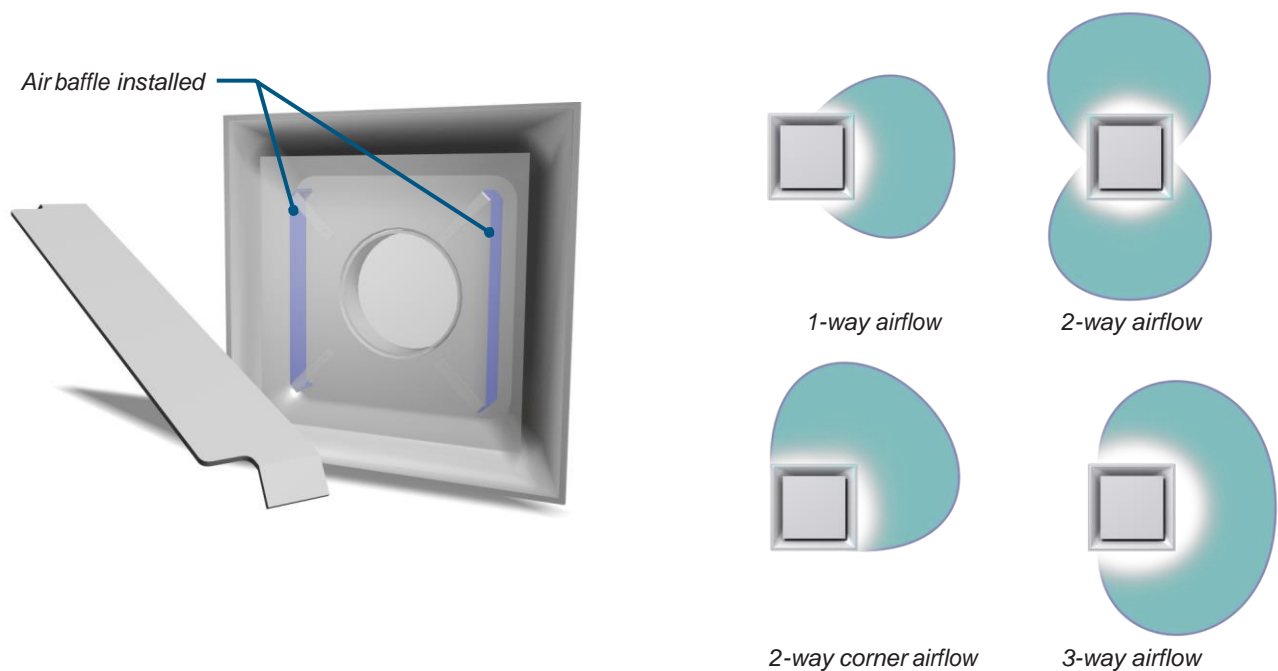
- + Shape
 - Round inlet (EG)
 - Square inlet (EGL/EGS)
- + Blade orientation
 - Parallel to the long dimension (EGL)
 - Parallel to the short dimension (EGS)



AB – AIR BAFFLE

Air Baffles (AB) modify the airflow of Square Plaques Diffusers (SPD) to provide 3-way, 2-way, 2-way corner, and 1-way throw patterns.

- + The AB clips easily onto the SPD's existing legs for quick and easy installation and modification.

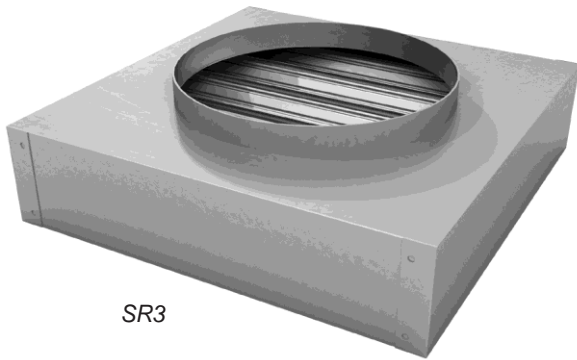


SR – SQUARE TO ROUND ADAPTOR

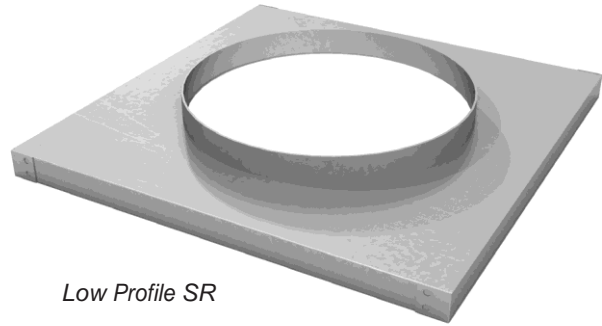
Square-to-Round adaptors (SR) allow direct connection to round ducts for square necked diffusers/grilles.

OPTIONS

- + Configuration
 - Low profile (SR)
 - Integral damper (SR3)



SR3



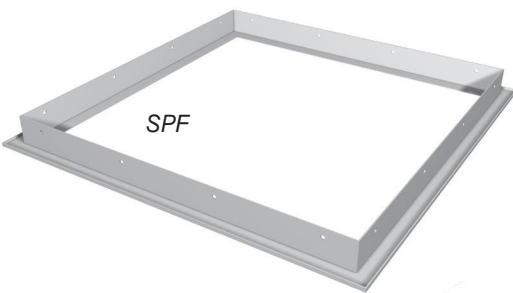
Low Profile SR

SPF/APF/AMF - PLASTER FRAMES

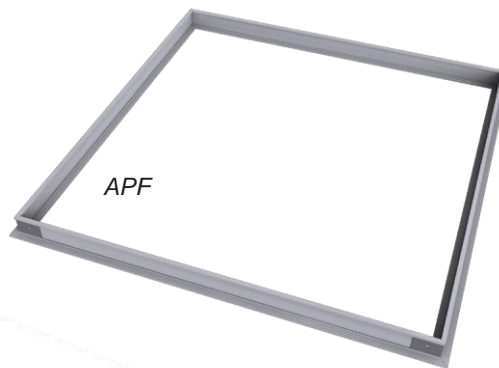
Plaster frames allow for easy installation of square ceiling or t-bar style slot diffusers into drywall ceilings.

OPTIONS

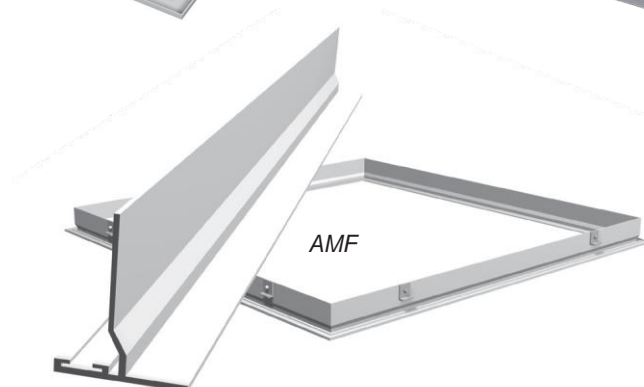
- + Material
 - Steel (SPF)
 - Extruded aluminum (AMF/APF)



SPF



APF

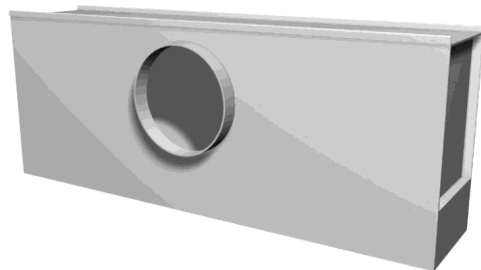


AMF

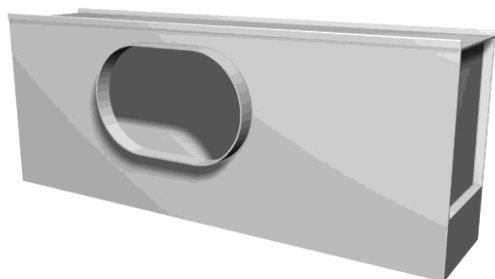
UP – UNIVERSAL PLENUM

The Universal Plenum (UP) is designed to fit Price Custom Flow, Linear Slot Diffuser, and Linear Bar Grille products.

- + The UP is available in both standard and low profile heights as well as straight and curved configurations.
- + The coated steel construction can be easily adapted for continuous applications by bending out or trimming the flap at the bottom of each end cap.
- + Optional internal coated fiberglass or fiber free foam insulation is available.



UP



UPL

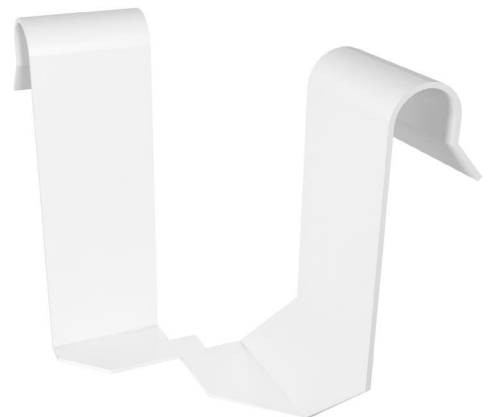
OPTIONS

- + Height
 - Standard height (UP)
 - Low profile (UPL)
- + Configuration
 - Straight
 - + Flat-face
 - + Concave
 - + Convex
- + Length
 - 24, 36, 48, 60 in.
- + Mounting
 - Hemmed plenum for concealed mounting
 - Straight plenum for t-bar mounting
- + Insulation
 - Coated fiberglass insulation (CF)
 - Fiber free foam insulation (FF)

916 CLIP

The 916 clip accessory increases the corner size of 9/16 in. tee to a 15/16 in. flat ceiling tee equivalent. This allows 15/16 in. frame styles to be installed in flat 9/16 in. tees.

- + The 916 clip is finished in standard white powder coat to match diffuser color.
- + It is recommended to install one 916 clip onto each corner tee for full support of the diffuser.





DIFFUSERS

Product Improvement is a continuing endeavor at BADRY. Therefore, specifications are subject to change without notice. Consult your BADRY Sales Representative for current specifications or more detailed information. Not all products may be available in all geographic areas. All goods described in this document are warranted as described in the Limited Warranty shown at www.badrygroup.com/Air.Ducts. Our complete product catalog can be viewed online.

BADRY GROUP Group Of Companies

6B, Sixth October St., Manshiet Al Sad Al Aaly,
Al-Salam, Cairo, Egypt.
P.O Box 1527 Alf Maskan, Cairo, Egypt.
Tel: +202 219 06 401, +202 219 06 362
Fax: +202 219 06 823 - Cell: +20 100 57 43 852
E-mail: badry@badrygroup.com
Web : www.Badrygroup.com

BADRY
Group