

Stage Zoom Profile Hot Spot

Source Four Zoom 15-30 Degrees Zoom Profile Hot Spot 750W - HPL

Model Type. Source Four® Zoom 15°-30°

Model No. ETC- 41530

Stock / Part No. MFR # 41530

Item Brand. ETC

Maximum brightness, maximum field-angle flexibility. With Source Four® Zoom you only need one fixture for a variety of field angles. Plus, Source Four Zoom makes it easy: ETC's patented one-handed zoom operation makes adjustments quick, simple and safe. Technicians can focus with one hand and hold the ladder with the other.



ETC Source Four Ellipsoidal 15-30 Degree Zoom

With Source Four Zoom you only need one fixture for a variety of field angles. ETC's patented one-handed zoom operation makes adjustments quick, simple and safe. Technicians can focus with one hand and hold the ladder with the other. And the lens-tube door provides quick and easy access when you want to clean the lens assembly (tool-free!). But the best part is that Source Four Zoom has all the advantages of the revolutionary fixed-focus Source Four: bright, even field, cool beam, and amazing efficiency. The patented dichroic mirror means shutters and accessories stay cool, and drop-in accessories are interchangeable with fixed-focus Source Fours. Rated up to 750W, Source Four Zoom gives you Source Four's crisp optics for excellent imaging and quality.

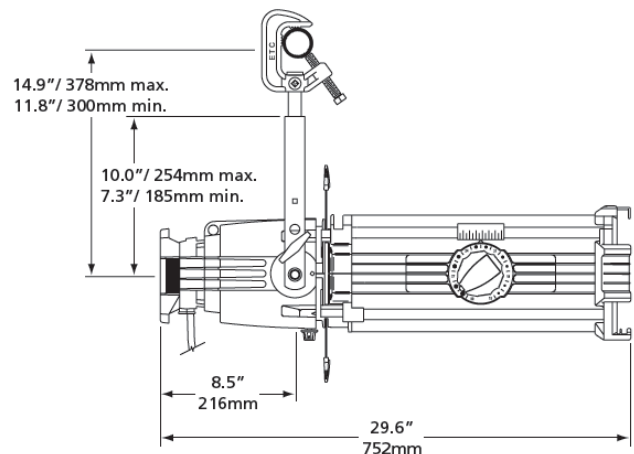
Product Accessories:

- C-Clamp - included
- 7.5" Color Frame - included
- A-size gobos and gobo holders
- B-size gobos and gobo holders
- HPL Lamps
- Safety Cable
- Drop-In Iris
- 7.5" Top Hat

- Three-plane stainless-steel shutter blade assembly
- Tool-free lamp adjustment
- Easy access lens cleaning
- Insulated rear handle
- Rugged die-cast and extruded aluminum construction
- Supports ETC Dimmer Doubling

Product Features:

- Rated up to 750W
- 15°-30° and 25°-50° Zoom ranges
- Super-efficient HPL lamp
- Faceted dichroic reflector removes 90% of IR heat from beam
- One-handed zoom operation
- Positive zoom lock
- Field angle and focus scale markings
- Rotating barrel ± 25°



PHYSICAL

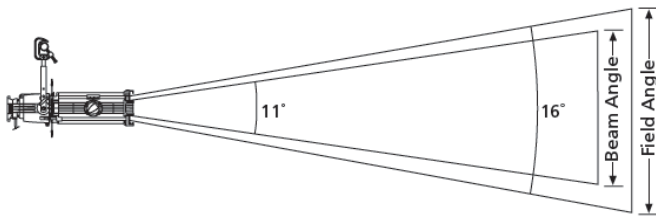
- Rugged, die-cast and extruded aluminum construction
- Patented one-handed focus mechanism with positive lock
- Rotating shutter assembly ± 25 degree
- 20-gauge stainless steel shutters in a tri-plane assembly
- Lens-tube door provides easy access for lens cleaning
- Scale markings for field-angle and focus settings
- Thermally insulated rear handle
- High-impact, thermally insulated knobs and shutter handles
- Integral die-cast color-frame holder with two accessory slots, and a top mounted, color-frame retainer
- Steel yoke with two mounting positions
- Positive locking double-clutch yoke
- Slot for glass or stainless steel patterns
- Wide accessory slot with sliding cover for motorized pattern devices or optional iris
- UL and cUL Listed

ELECTRICAL

- 115-240V, 50/60Hz
- High temperature three-conductor 36-inch leads in a glass fiber outer sleeve
- Supports ETC Dimmer Doubling technology

LAMP

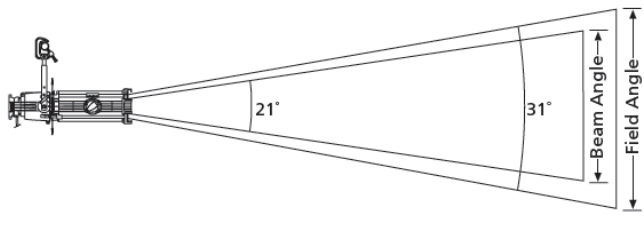
- 750W maximum
- HPL - compact tungsten filament contained in a krypton/ xenon-filled quartz envelope (see table for suitable lamp types)
- Patented filament geometry makes for extremely efficient light collection and transmission
- Integral die-cast aluminum heat-sink lamp base



Source Four 15°-30° Zoom set at 15°(cosine)

Degree	Candela	Field Lumens	Beam Lumens	Efficiency	Lumens per watt
15°	395,560	11,460	7,685	52.3%	15.3

Metric Conversions: For Meters multiply feet by .3048
For Lux multiply footcandles by 10.76



Source Four 15°-30° Zoom set at 30°(cosine)

Degree	Candela	Field Lumens	Beam Lumens	Efficiency	Lumens per watt
30°	105,690	11,960	7,075	54.6%	15.9

Metric Conversions: For Meters multiply feet by .3048
For Lux multiply footcandles by 10.76