



Power Distribution Cabinets

DATCO Type KSE



Systematic, insight, experience and a wide range of time-saving solutions



DATCO is a **BADRY GROUP** Member; an Egyptian company which manufactures **Electric Switchboards; cable distribution, transfer, control and meter cabinets.**

We can offer i.a.:

- **Type tested solutions**
Complying with EN 61439-1 and EN 61439-5.
- **Increased personal safety**
Main bus-bars and low voltages switchgear matching the strict requirements of IP 20 degree of protection.
- **Time-saving mounting**
4-conductor bus-bar system with integrated N bus-bar. Simplifies electric mounting and Connection.
A 5 mm Allen key is what is needed to mount Trial's electronic components.
- **Long life**
The cabinets are made of sendzimir galvanized steel sheet with a polyester or Rilsan coating.

- **A comprehensive range of Electric Distribution cabinets**
With fire-retardant mounting boards or bus-bars
Up to 6000A.
- **Transfer cabinets up to 4000A**
Complying with EN 60947-1 and EN 60947-3.
- **Switching cabinets up to 3000A**
Complying with EN 60947-1 and EN 60947-3.

You can find a **DATCO** solution to any Requirement for energy distribution.

We offer cabinets with a Rilsan coating (polyamid 11) which is highly resistant and complies with the requirements of class II/double isolation, or we offer cabinets with a surface treatment with polyester paint in standard colours or special RAL colours.

Based on experience and vision

It is no coincidence that **DATCO** can offer you the most comprehensive and logical solution in cable distribution cabinets.

Since 2000 our company has been a leading, specialized manufacturer of cabinets. All our solutions have been developed and refined in close cooperation with installers and system operators, and they are today expressions of "best practice".

Contents

Technical data for Cable Cabinets.....	side	3
KSE - Cable Distribution Cabinets Class I.....	side	4-5
KSE - Cable Distribution Cabinets Class II.....	side	6-7
Cabinets for meter.....	side	8
Additional surface treatment.....	side	9

DATCO Electric distribution cabinets are made of sendzimir galvanized steel sheet with a Rilsan or polyester coating.

Rilsan-coated enclosures comply with the requirements of double isolation and have been tested with a testing voltage in accordance with EN 60439-1 of 5.25kV.

Colours

Rilsan

Enclosures and cabinets are available in standard green or RAL 7037 (grey).

Polyester

Standard colour is RAL 7037 (grey).
Other RAL colours available on demand.

Classification

Rilsan enclosures:	Class II
Polyester enclosures:	Class I
Degree of protection:	IP 34D
Rated current (Ie):	400A/600A
Short circuit level:	20kA/25kA
Operating voltage (Ue):	500V/50Hz
Operating environment	Standard +40°C/-25°C
Spec.	-50°C

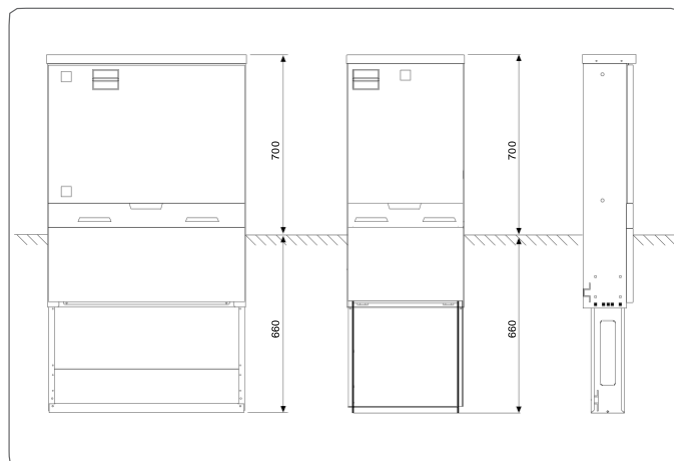
Construction

A complete cabinet consists of:

- Cabinet with bus-bar or mounting board
- Detachable roof with insulation
- Front door with EBR (Strong stockholm lock) or triangular lock, as well as 2 plate frames with room for an eight-digit number system
- National requirement on demand, e.g. hammer marking system
- Front door with ventilation louvres and filter.
- Adjustable plinth.
- Condensation block made of fire-retardant material.

Joining two or more cabinets

You can satisfy your customers with an aesthetic solution when two or more electricity, television or telecom cabinets are to be placed close to each other, by using a connection kit.

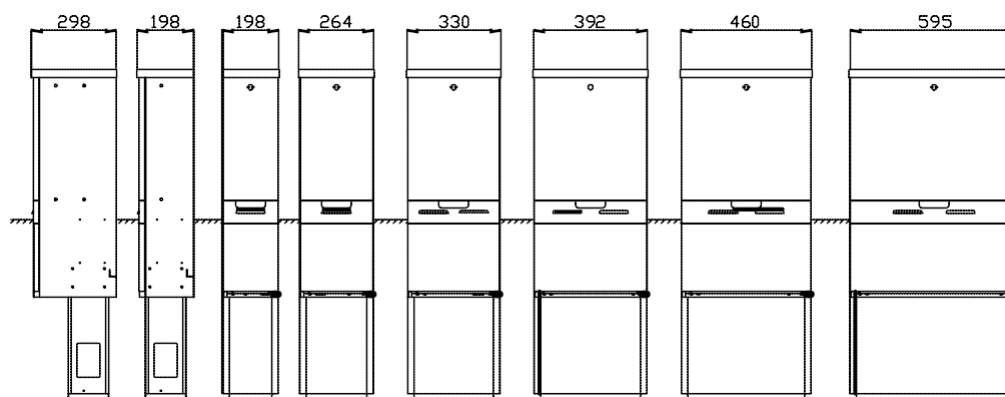


DATCO cable distribution cabinets

With bus-bar and polyester coating

Class I

Dimensioned sketches



Cabinet with 630A insulated bus-bar, IP 20, depth 198 mm

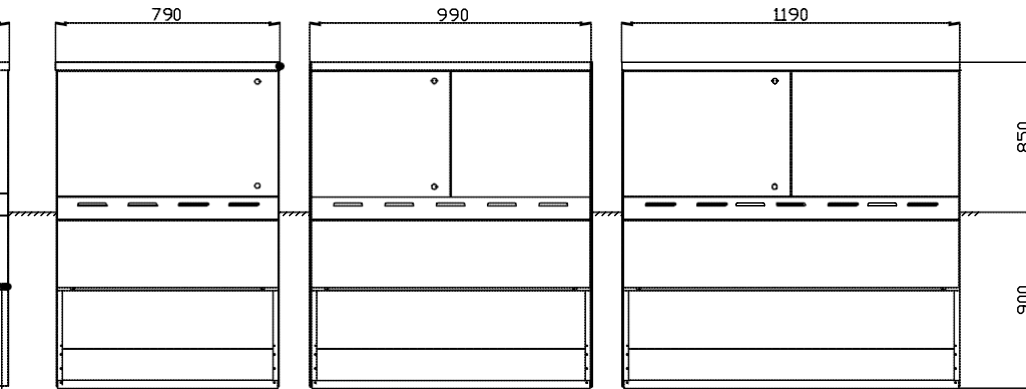
Type	Color	Art. no	EAN	Lock		Dimensions			Weight kg.	Pcs/pallet
				Stockholm	Triangular	H	x B	x D		
KSEA 6-26	Grey	598581	5711255985817	√		850	198	198	19,9	20
KSEB 6-26	Green	598584	5711255985848		√	850	198	198	19,9	20
KSEA 6-44	Grey	598597	5711255985978	√		850	264	198	22,8	15
KSEB 6-44	Green	598591	5711255985916		√	850	264	198	22,8	15
KSEA 6-50	Grey	598608	5711255986081	√		850	330	198	26,5	10
KSEB 6-50	Green	598606	5711255986067		√	850	330	198	26,5	10
KSEA 6-72	Grey	598629	5711255986296	√		850	460	198	34,0	10
KSEB 6-72	Green	598637	5711255986371		√	850	460	198	34,0	10
KSEA 6-94	Grey	598650	5711255986500	√		850	595	198	39,5	10
KSEB 6-94	Green	598657	5711255986579		√	850	595	198	39,5	10
KSEA 6-117	Grey	598671	5711255986715	√		850	795	198	57,5	5
KSEB 6-117	Green	598670	5711255986708		√	850	795	198	57,5	5
KSEA 6-149	Grey	598706	5711255987064	√		850	990	198	72,5	3
KSEB 6-149	Green	598705	5711255987057		√	850	990	198	72,5	3
KSEA 6-183	Grey	598713	5711255987132	√		850	1190	198	91,5	3
KSEB 6-183	Green	598720	5711255987200		√	850	1190	198	91,5	3

Cabinet with 630A insulated busbar, IP 20, depth 300 mm

Type	Color	Art. no	EAN	Lock		Dimensions			Weight kg.	Pcs/pallet
				Stockholm	Triangular	H	x B	x D		
KSEA 6-72	Grey	599101	5711255991016	√		850	460	300	42,1	4
KSEB 6-72	Green	599100	5711255991009		√	850	460	300	42,1	4
KSEC 6-72	Graphite	599103	5711255991030		√	850	460	300	42,1	4
KSEA 6-94	Grey	599106	5711255991061	√		850	595	300	49,0	4
KSEB 6-94	Green	599105	5711255991054		√	850	595	300	49,0	4
KSEC 6-94	Graphite	599108	5711255991085		√	850	595	300	49,0	4
KSEA 6-117	Grey	599111	5711255991115	√		850	795	300	93,0	2
KSEB 6-117	Green	599110	5711255991108		√	850	795	300	93,0	2
KSEC 6-117	Graphite	599113	5711255991139		√	850	795	300	93,0	2
KSEA 6-149	Grey	599121	5711255991214	√		850	990	300	112,0	2
KSEB 6-149	Green	599120	5711255991207		√	850	990	300	112,0	2
KSEC 6-149	Graphite	599123	5711255991238		√	850	990	300	112,0	2

Cable distribution cabinets with busbar and polyester coating

of cable cabinets with root



Cabinet with 630A insulated busbar, prepared for "Hammar" marking IP 20, depth 198 mm

Type	Color	Art. no	EAN	Lock		Dimensions			Weight kg.	Pcs/pallet
				Stockholm	Triangular	H	x B	x D		
KSEA 6-44 with galvanised plinth	Grey	598599	5711255985992		✓	850	264	198	21,5	
KSEA 6-44 with stainless steel plinth	Grey	598600	5711255986005		✓	850	264	198	21,5	
KSEA 6-50 with galvanised plinth	Grey	598614	5711255986142		✓	850	330	198	25,1	
KSEA 6-50 with stainless steel plinth	Grey	598615	5711255986159		✓	850	330	198	25,1	
KSEA 6-72 with galvanised plinth	Grey	598635	5711255986357		✓	850	460	198	27,5	
KSEA 6-72 with stainless steel plinth	Grey	598636	5711255986364		✓	850	460	198	27,5	
KSEA 6-94 with galvanised plinth	Grey	598656	5711255986562		✓	850	595	198	39,5	
KSEA 6-94 with stainless steel plinth	Grey	598655	5711255986555		✓	850	595	198	39,5	
KSEA 6-117 with galvanised plinth	Grey	598678	5711255986784		✓	850	795	198	57,5	
KSEA 6-117 with stainless steel plinth	Grey	598677	5711255986777		✓	850	795	198	57,5	
KSEA 6-149 with galvanised plinth	Grey	598741	5711255987415		✓	850	990	198	72,5	
KSEA 6-149 with stainless steel plinth	Grey	598740	5711255987408		✓	850	990	198	72,5	
KSEA 6-183 with galvanised plinth	Grey	598719	5711255987194		✓	850	1190	198	91,5	
KSEA 6-183 with stainless steel plinth	Grey	598718	5711255987187		✓	850	1190	198	91,5	



"Hammar" marking system

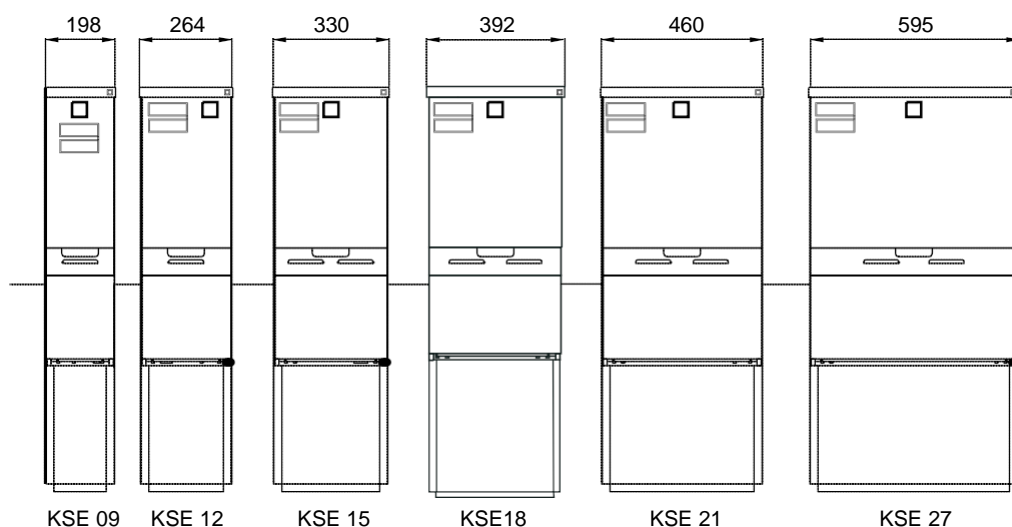


DATCO KSE – Cable Cabinets

Rilsan coating

Class II

Dimensioned sketches of cable



Empty Cabinets with condensation block and backboard as accessories

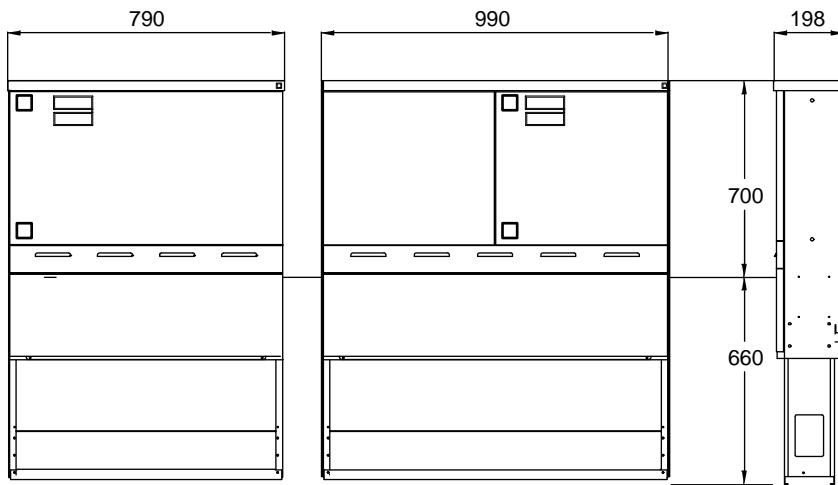
Type	Backboard	Color	Art.no.	EAN	Mounting depth	Dimensions			Weight kg
						H	x W	x D	
KSE-300909		Grey	698047	5711256980477	171	700	198	198	17.6
KSE-300909		Green	698048	5711256980484	171	700	198	198	17.6
	OPVC		598057	5711255980577		530	184	19	1.2
KSE-301209		Grey	698067	5711256980675	171	700	264	198	20.0
KSE-301209		Green	698068	5711256980682	171	700	264	198	20.0
	OPVC		598077	5711255980775		530	250	19	1.6
KSE-301509		Grey	698087	5711256980873	171	700	330	198	22.8
KSE-301509		Green	698088	5711256980880	171	700	330	198	22.8
	OPVC		598097	5711255980973		530	316	19	2.0
KSE-301809		Grey	698102	5711256981023	171	700	392	198	25.4
KSE-301809		Green	698103	5711256981030	171	700	392	198	25.4
	OPVC		598106	5711255981062		530	382	19	2.4
KSE-302109		Grey	698107	5711256981078	171	700	460	198	29.5
KSE-302109		Green	698108	5711256981085	171	700	460	198	29.5
	OPVC		598117	5711255981178		530	448	19	2.6
KSE-302709		Grey	698127	5711256981276	171	700	595	198	33.4
KSE-302709		Green	698128	5711256981283	171	700	595	198	33.4
	OPVC		598137	5711255981376		530	580	19	3.2
KSE-303609		Grey	698147	5711256981474	171	700	792	198	50.5
KSE-303609		Green	698148	5711256981481	171	700	792	198	50.5
	OPVC		598157	5711255981574		530	781	19	4.3
KSE-304509		Grey	698167	5711256981672	171	700	990	198	62.5
KSE-304509		Green	698168	5711256981689	171	700	990	198	62.5
	OPVC		598177	5711255981772		530	979	19	5.4

Empty Cabinets with window, condensation block and backboard as accessories

Type	Backboard	Color	Art.no.	EAN	Mounting depth	Dimensions			Weight kg
						H	x W	x D	
KSE-301509		Grey	698090	5711256980903	171	700	330	198	22.8
KSE-301509		Green	698094	5711256980941	171	700	330	198	22.8
	OPVC		598097	5711255980973		530	316	19	2.0
KSE-302709		Grey	698133	5711256981337	171	700	595	198	33.4
KSE-302709		Green	698134	5711256981344	171	700	595	198	33.4
	OPVC		598137	5711255981376		530	580	19	3.2

KSE- Cable Cabinets Rilsan coating

cabinets with short root



KSE 36

KSE 45



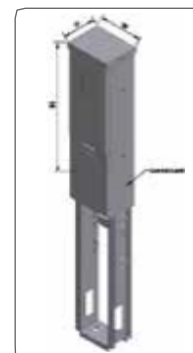
Cabinets with busbars 630A, incl. IP 20 shielding

Type	AMP.	Farve	Varenr.	EAN	Modules Modules / mm.	Dimensions H x W x D			Weight kg.
KSE-300909	630	Grey	698566	5711256985663	27 / 162	700	198	198	19,9
KSE-300909	630	Green	698567	5711256985670	27 / 162	700	198	198	19,8
KSE-301209	630	Grey	698587	5711256985878	38 / 228	700	264	198	22,8
KSE-301209	630	Green	698588	5711256985885	38 / 228	700	264	198	22,8
KSE-301509	630	Grey	698617	5711256986172	49 / 294	700	330	198	26,5
KSE-301509	630	Green	698618	5711256986189	49 / 294	700	330	198	26,5
KSE-301809	630	Grey	698623	5711256986233	60 / 360	700	392	198	29,8
KSE-301809	630	Green	698624	5711256986240	60 / 360	700	392	198	29,8
KSE-302109	630	Grey	698638	5711256986387	71 / 426	700	460	198	34,0
KSE-302109	630	Green	698639	5711256986394	71 / 426	700	460	198	34,0
KSE-302709	630	Grey	698659	5711256986592	93 / 558	700	595	198	39,5
KSE-302709	630	Green	698660	5711256986608	93 / 558	700	595	198	39,5
KSE-303609	630	Grey	698680	5711256986806	126 *12 / 756	700	792	198	57,5
KSE-303609	630	Green	698681	5711256986813	126 *12 / 756	700	792	198	57,5
KSE-304509	630	Grey	698701	5711256987018	159 *12 / 954	700	990	198	72,5
KSE-304509	630	Green	698702	5711256987025	159 *12 / 954	700	990	198	72,5

Empty cabinets prepared for kWh meter, pole mounting box, and cable protection covers

Empty cabinets (IP 34) incl. fittings for backboard*, prepared for kWh meter, 198 mm depth, RAL 7037 grey and triangular lock

Type	Art. No.	EAN	Remarks	Cabinet size			Weight Kg	Pcs/ Pallet
				Height	Width	Depth		
KSEEA 44 1M	599002	5711255990026	f. 1 kWh meter	850	264	198	34,0	15
KSEEA 60 2M	599008	5711255990088	f. 2 kWh meter	850	396	198	37,3	10
KSEEA 94 3M	599014	5711255990149	f. 3 kWh meter	850	594	198	40,2	10



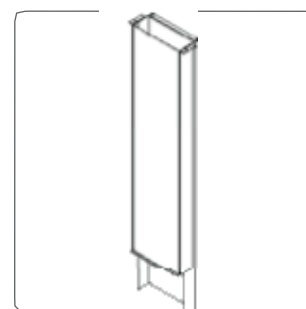
Pole mounting box in RAL 7037 grey
Cabinets can be mounted on to poles with pole mounting boxes

Type	Art. No.	EAN	Description	Weight
SF 6-44	598759	5711255987590	Pole mounting box for E-KSE6-44	24
SF 6-50	598760	5711255987606	Pole mounting box for E-KSE6-50	25
SF 6-72	598761	5711255987613	Pole mounting box for E-KSE6-72	28
SF 6-94	598762	5711255987620	Pole mounting box for E-KSE6-94	32



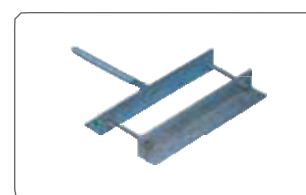
Cable protection covers
In pole mounting cables can be protected with protective covers

Type	Art. No.	EAN	Description	Weight
KK 44	598769	5711255987699	Cable duct for E-SF6-44	10
KK 50/72	598770	5711255987705	Cable duct for E-SF6-50/72	14



Brackets RH3 and RH7
Protective tubes can be fixed on to a pole with bracket RH3 (space for 3 tubes) or with RH7 (space for 7 tubes)

Type	Art. No.	EAN	Description	Weight
RH 3	598765	5711255987651	Bracket for E-NRL55 max 3 tubes	1,5
RH 7	598767	5711255987675	Bracket for E-NRL55 max 7 tubes	2,5



Numbering system for KS-cabinets

Type	Art. No.	EAN	Colour	Brick No.	Size	Pcs. per pack
Frame	541025	5711255410258	Black		8/8	20
Brick	541011	5711255410111	Black	Blank	1/8	50
Brick	541041	5711255410418	White	1	1/8	50
Brick	541042	5711255410425	White	2	1/8	50
Brick	541043	5711255410432	White	3	1/8	50
Brick	541044	5711255410449	White	4	1/8	50
Brick	541045	5711255410456	White	5	1/8	50
Brick	541046	5711255410463	White	6	1/8	50
Brick	541047	5711255410470	White	7	1/8	50
Brick	541048	5711255410487	White	8	1/8	50
Brick	541050	5711255410500	White	0	1/8	50
Brick	541049	5711255410494	White	-	1/8	50



Additional surface treatment

Anti-Graffiti

DATCO A/S can offer a new polyester coating, which ensures that graffiti easily can be removed on outdoor enclosures while the metal surface remains optimally protected. In this way the life-time of the enclosures is ensured as well as a clean surface.

Usability

We can offer this surface on outdoor enclosures made of galvanized steel, stainless steel and aluminum. We offer anti-graffiti treatment on all our class I outdoor enclosures.

Anti-graffiti treatment is especially attractive in particularly vulnerable areas like urban centers and in educational areas.



Anti-Stick

DATCO' anti-stick treatment prevents items like posters and labels to stick to the enclosure and ensures easy removal of such items. We can offer this surface on enclosures made of galvanized steel, stainless steel and aluminum.

Effect

The enclosures are, as a standard, coated with a polyester powder (80 micron) in the desired color. The second applied layer is a colorless powder, which gives a rough and sandy surface, which makes it difficult for posters and stickers to remain placed for a long time. The additional coating has a thickness of between 50-60 microns.

Class I enclosures in all colors

Our anti-stick coating may be applied to all our enclosures with polyester coating (Class I). Please note that the delivery time will be extended, if a particular color on the enclosures is wanted. Please contact **DATCO** For further information.



This **DATCO** KSE Systems brochure introduce you to our wide range of Power Distribution Cabinets and accessories.

Visit www.badrygroup.com/DATCO and download other brochures or give us a call for more information.

DATCO

Distribution And Transfer Cabinets' Occupations

BADRY GROUP Member – Specialized Company

BADRY GROUP – Bldg No 6
Sixth October St. Manshiat
Alsad Alaaly, Alsalam city
Cairo, Egypt
P.O. Box 1527 Alf Maskan
Cairo 11777, Egypt

Phone: +20 (0)2 219 06 401
Fax: +20 (0)2 219 06 823
E-Mail: datco@badrygroup.com
www.badrygroup.com/DATCO